

GENELEC®

8040B
8050B

Operating Manual 2-6
Käyttöohje 7-11





Genelec 8040B and 8050B Active Monitoring Systems

System

The GENELEC 8040B and 8050B are two way active monitoring loudspeakers designed to produce high SPL output, low coloration and broad bandwidth in a small enclosure size. They are suitable for a wide variety of tasks, such as near field monitoring, mobile vans, broadcast and TV control rooms, surround sound systems and home studios. Designed as active loudspeakers, they contain drivers, power amplifiers, active crossover filters and protection circuitry. The Minimum Diffraction Enclosure™ (MDE™) and advanced Directivity Control Waveguide™ (DCW™) technologies provide excellent frequency balance even in difficult acoustic environments.

Drivers

The bass driver dimensions are 165 mm (6 1/2") and 205 mm (8") for 8040B and 8050B respectively. The long, flow optimized reflex tube has a large cross sectional area and terminates with a wide flare at the back of the enclosure. The high frequency driver is a 19 mm (3/4") metal dome on the 8040B and a 25 mm (1") metal dome on the 8050B. Both drivers are magnetically shielded.

Crossover

The active crossover network consists of two parallel bandpass filters. The crossover frequency is 3.0 kHz on the 8040B and 1.8 kHz on the 8050B. The active crossover controls ("treble tilt", "desktop low frequency", "bass tilt" and "bass roll-off") allow precise matching of the loudspeakers to any room environment.

Amplifiers

The amplifier unit is mounted in the rear of the loudspeaker enclosure. The unit incorporates special circuitry for driver thermal overload protection. Variable input sensitivity allows accurate level matching to console output section.

Connections

Each loudspeaker is supplied with a mains cable and an operating manual. Before connecting up, ensure that the mains switch is off (see figure 1). Audio input is via a 10 kOhm balanced XLR connector, but unbalanced leads may be used as long as pin 3 is grounded to pin 1 of the XLR (see figure 3). Once the connections have been made, the loudspeakers are ready to be switched on.

Mounting considerations

Align the loudspeakers correctly

Always place the loudspeakers so that their acoustic axes (see figure 2) are aimed towards the listening position. Vertical placement is preferable, as it minimises acoustical cancellation problems around the crossover frequency.

Maintain symmetry

Check that the loudspeakers are placed symmetrically and at an equal distance from the listening position. If possible, place the system so that the listening position is on the centerline of the room and the loudspeakers are placed at an equal distance from the centerline.

Minimise reflections

Acoustic reflections from objects close to the loudspeakers like desks, cabinets, computer monitors etc. can cause unwanted coloration and blurring of the sound image. These can be minimised by placing the loudspeaker clear of reflective surfaces. For instance, putting the loudspeakers on stands behind and above the mixing console usually gives a better result than placing them on the meter bridge.

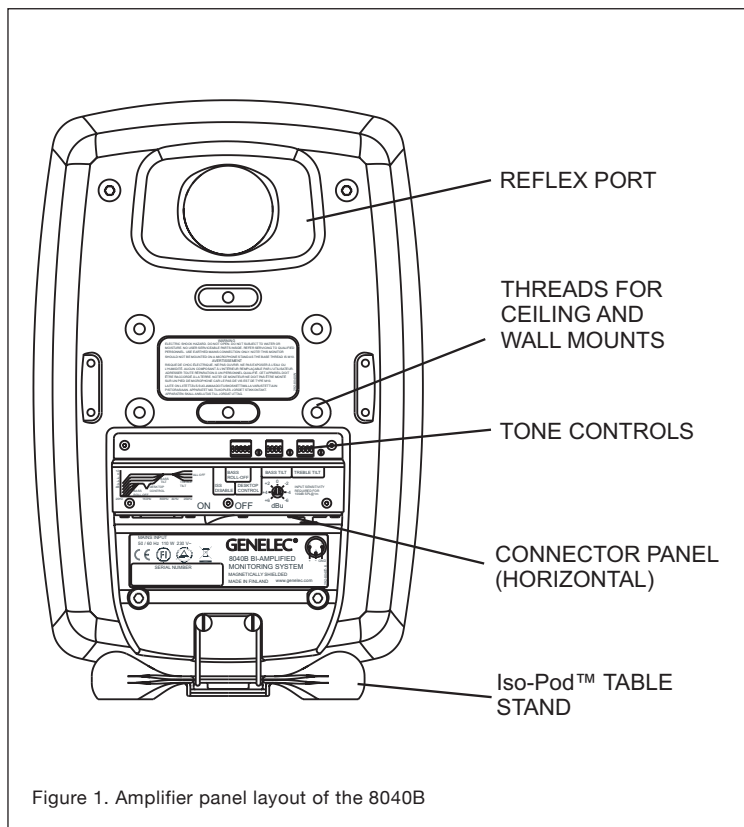


Figure 1. Amplifier panel layout of the 8040B

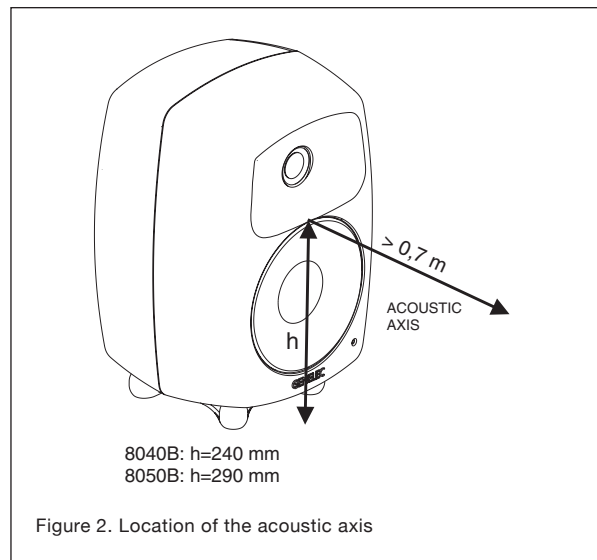


Figure 2. Location of the acoustic axis

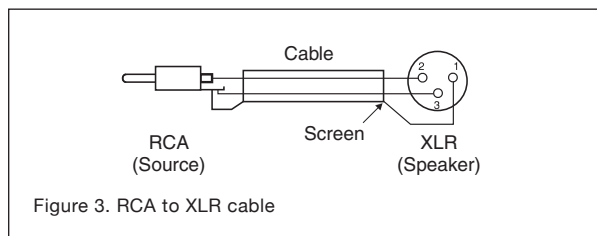


Figure 3. RCA to XLR cable

Minimum clearances

Sufficient cooling for the amplifier and functioning of the reflex port must be ensured if the loudspeaker is installed in a restricted space such as a cabinet, or integrated into a wall structure. The surroundings of the loudspeaker must always be open to the listening room with a minimum clearance of 5 centimeters (2") behind, above and on both sides of the loudspeaker. The space adjacent to the amplifier must either be ventilated or sufficiently large to dissipate heat so that the ambient temperature does not rise above 35 degrees Celsius (95°F).

Mounting options

The vibration insulating Isolation Positioner/Decoupler™ (Iso-Pod™) table stand allows tilting of the loudspeaker for correct alignment of the acoustic axis. The stand can be attached to three mounting points allowing vertical and symmetrical horizontal positioning (see figures 1 and 5).

Genelec 8040B and 8050B can be fitted to Omnimount® Series 30 (8040B) and 60 (8050B) and König & Meyer loudspeaker mounts on two sets of M6x10 mm threaded holes on the back of the enclosure. On the

base of the enclosure is an M10x10 mm threaded hole which can be used for securing the loudspeaker to its base. Do not use this thread for mounting the loudspeaker on a microphone stand which has a 3/8" UNC thread.

Setting the input sensitivity

The input sensitivity of the loudspeakers can be matched to the output of the mixing console, or other source, by adjusting the input sensitivity control on the rear panel (see figure 1). A screwdriver is needed for the adjustment. The manufacturer's default setting for this control is -6 dBu (fully clockwise) which gives an SPL of 100 dB @1m with -6 dBu input level.

ISS™ autostart function

When the power switch on the loudspeaker is set to "ON", the Intelligent Signal Sensing™ (ISS™) autostart function of the loudspeaker is active. Automatic powering down to standby mode happens after a certain time when playback has ended. The power consumption in standby mode is typically less than 0.5 watts. The playback will automatically resume once an input signal is detected from the source.

There is a slight delay in the automatic powering up. If this is undesirable, the ISS™ function can be disabled by setting the "ISS DISABLE" switch on the back panel to "ON" position. In this mode, the monitor is powered on and off using the power switch on the back panel.

Setting the tone controls

The frequency response of the system may also have to be adjusted to match the acoustic environment. The adjustment is carried out by setting the three tone control switch groups "treble tilt", "bass tilt" and "bass roll-off" on the rear panel of the amplifier. There is also a special "desktop low frequency" tone control which gives an attenuation of 4 dB at 160 Hz to compensate the effect of a mixing console, desk or other reflective surface between the listener and the loudspeaker. The factory settings for these controls are all "OFF" to give a flat anechoic response.

Bass roll-off control

Bass roll-off (first switch group from the left) affects the low frequency roll-off of the loudspeaker and attenuates its energy output near the cut-off frequency. Attenuation levels of -2, -4 or -6 dB can be selected.

Speaker Mounting Position	Treble tilt	Bass tilt	Bass roll-off	Desktop LF
Flat anechoic response	None	None	None	None
Free standing in a damped room	None	-2 dB	None	None
Free standing in a reverberant room	None	-4 dB	None	None
Near field on a reflective surface	None	-2 dB	None	-4 dB
In a corner	None	-4 dB	-4 dB	None

Table 1. Suggested tone control settings in some typical situations



Figure 4. K&M type wall mount

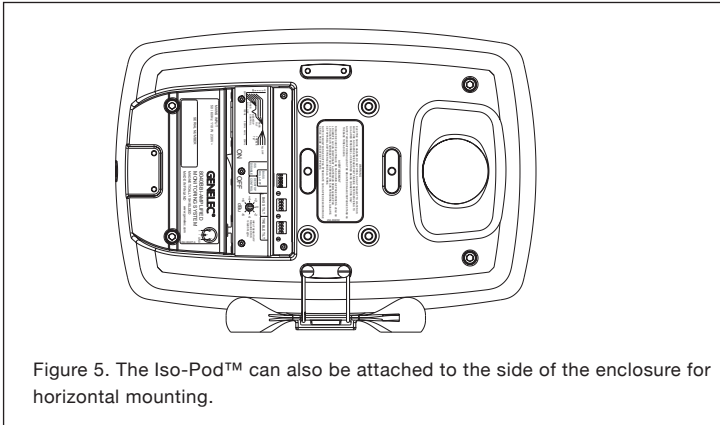


Figure 5. The Iso-Pod™ can also be attached to the side of the enclosure for horizontal mounting.



Figure 6. Carrying bag for a pair of 8040B loudspeakers.

Desktop low frequency control

The desktop low frequency control (fifth switch of first switch group from the left) attenuates the bass frequencies around 160 Hz by 4 dB (see figures 7 and 9). This feature is designed to compensate for the boost often occurring at this frequency range when the loudspeaker is placed upon a meter bridge, table or similar reflective surface.

Bass tilt control

The bass tilt control switches (second switch group from the left) offer three attenuation levels for the bass response below 800 Hz, usually necessary when the loudspeakers are placed near room boundaries. The attenuation levels are -2 dB, -4 dB and -6 dB.

Treble tilt control

Treble tilt (third switch group from the left) allows adjusting the treble response above 5 kHz by +2, -2, or -4 dB, which can be used for correcting an excessively bright or dull sounding system.

An acoustic measuring system such as WinMLS is recommended for analyzing the effects of the adjustments, however, care-

ful listening with suitable test recordings can also lead to good results if a test system is not available. Table 1 shows some typical settings in various situations. Figures 7 and 9 show the effect of the controls on the anechoic response.

Always start adjustment by setting all switches to "OFF" position. Then set only one switch per group to the "ON" position to select the desired adjustment. If more than one switch is set to "ON" (within one switch group) the attenuation value is not accurate.

Measure or listen systematically through the different combinations of settings to find the best frequency balance.

Maintenance

No user serviceable parts are to be found within the loudspeaker cabinet or the amplifier unit. Any maintenance or repair of the loudspeaker should only be undertaken by qualified service personnel.

Safety considerations

Although the 8040B and 8050B have been designed in accordance with international safety standards, to ensure safe operation and to maintain the loudspeaker under safe operating conditions, the following warnings and cautions must be observed:

- Servicing and adjustment must only be performed by qualified service personnel. The loudspeaker must not be opened.
- Do not use this product with an unearthed mains cable as this may lead to personal injury.
- To prevent fire or electric shock, do not expose the unit to water or moisture. Do not place any objects filled with liquid, such as vases on the loudspeaker or near it.
- Note that the amplifier is not completely disconnected from the AC mains service unless the mains power cord is removed from the amplifier or the mains outlet.
- Free flow of air behind the loudspeaker is necessary to maintain sufficient cooling. Do not obstruct airflow around the loudspeakers.
- Do not expose the loudspeaker to water or moisture. Do not place any objects filled with liquid, such as vases on the loudspeaker or near it.

WARNING!

Genelec 8040B and 8050B loudspeakers are capable of producing sound pressure levels in excess of 85 dB, which may cause permanent hearing damage.

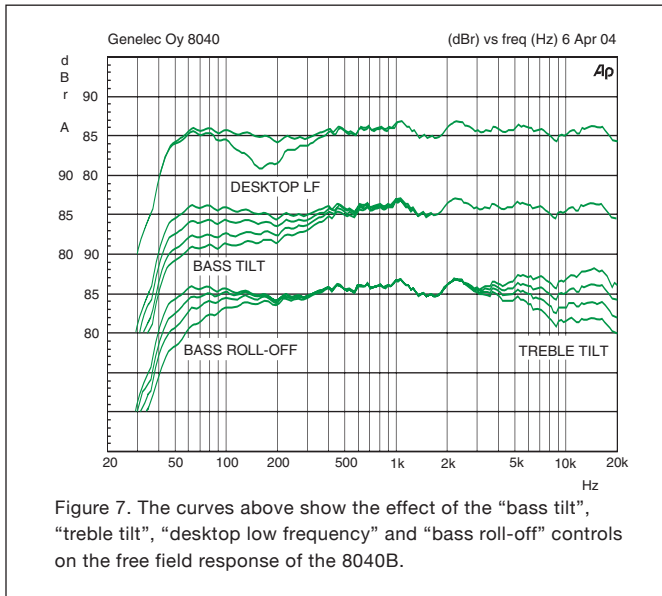


Figure 7. The curves above show the effect of the “bass tilt”, “treble tilt”, “desktop low frequency” and “bass roll-off” controls on the free field response of the 8040B.

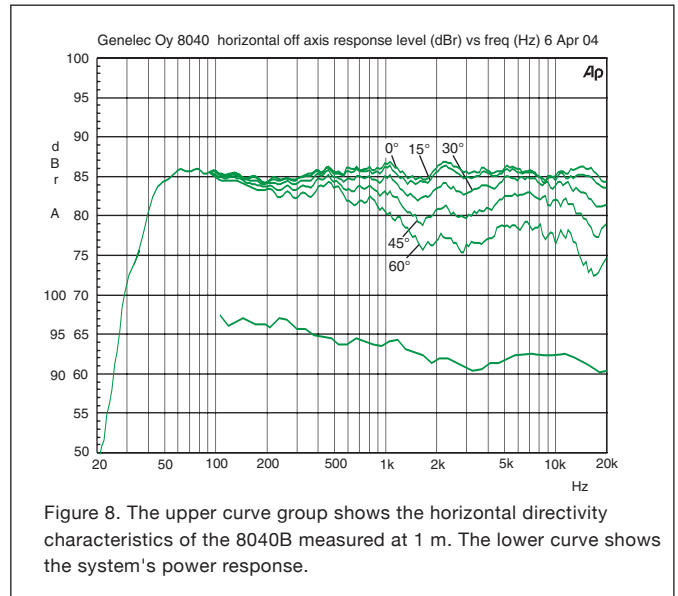


Figure 8. The upper curve group shows the horizontal directivity characteristics of the 8040B measured at 1 m. The lower curve shows the system's power response.

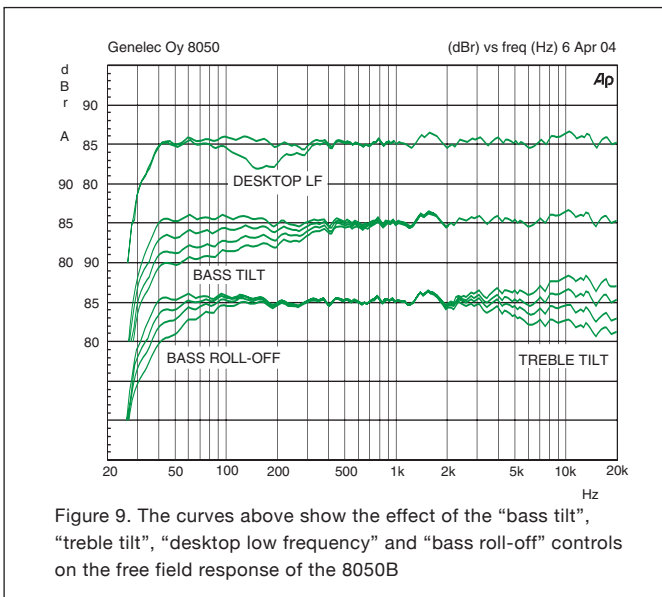


Figure 9. The curves above show the effect of the “bass tilt”, “treble tilt”, “desktop low frequency” and “bass roll-off” controls on the free field response of the 8050B

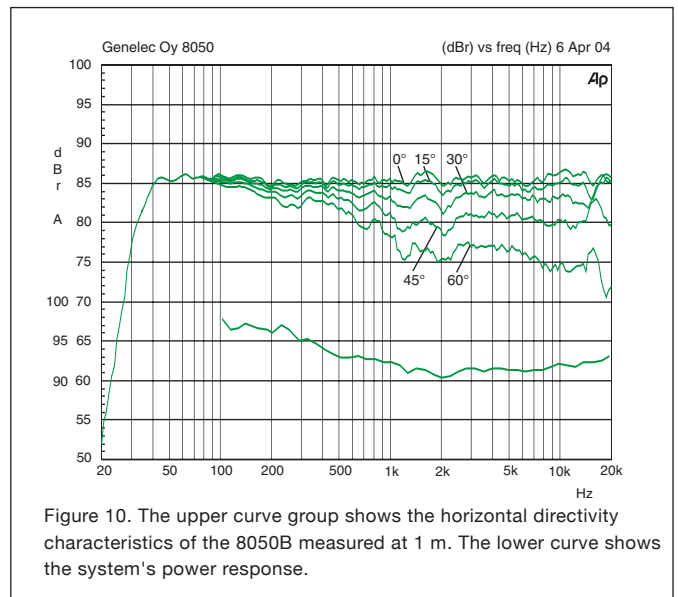


Figure 10. The upper curve group shows the horizontal directivity characteristics of the 8050B measured at 1 m. The lower curve shows the system's power response.

Guarantee

Genelec 8040B and 8050B are supplied with two year guarantee against manufacturing faults or defects that might alter the performance of the loudspeakers. Refer to supplier for full sales and guarantee terms.

Compliance to FCC rules

This device complies with part 15 of the FCC Rules. Operation is subject to the following two conditions:

- This device may not cause harmful interference
- This device must accept any interference received, including interference that may cause undesired operation.

Note: This equipment has been tested and found to comply with the limits for a Class B digital device, pursuant to part 15 of the FCC Rules. These limits are designed to provide reasonable protection against harmful interference in a residential installation. This equipment generates, uses and can radiate radio frequency energy and, if not installed and used in accordance with the instructions, may cause harmful interference to radio communications. However, there is no guarantee that interference will not occur in a particular installation. If this equipment does cause harmful interference to radio or television reception, which can be determined by turning the equipment off and on, the user is encouraged to try to correct the interference by one or more of the following measures:

1. Reorient or relocate the receiving antenna. Increase the separation between the equipment and receiver.
2. Connect the equipment into an outlet on a circuit different from that to which the receiver is connected.
3. Consult the dealer or an experienced radio/TV technician for help

Modifications not expressly approved by the manufacturer could void the user's authority to operate the equipment under FCC rules.

SYSTEM SPECIFICATIONS

	8040B	8050B
Lower cut-off frequency, -3 dB Upper cut-off frequency, -3 dB	≤ 45 Hz ≥ 21 kHz	≤ 35 Hz ≥ 21 kHz
Free field frequency response of system (± 2.0 dB)	48 Hz - 20 kHz	38 Hz - 20 kHz
Maximum short term sine wave acoustic output on axis in half space, averaged from 100 Hz to 3 kHz @ 1 m @ 0.5 m	≥ 105 dB SPL ≥ 111 dB SPL	≥ 110 dB SPL ≥ 116 dB SPL
Maximum long term RMS acoustic output in same conditions with IEC weighted noise (limited by driver unit protection circuit) @ 1 m	≥ 99 dB SPL	≥ 101 dB SPL
Maximum peak acoustic output per pair above console top, @ 1 m distance with music material	≥ 115 dB SPL	≥ 120 dB SPL
Self generated noise level in free field @ 1m on axis (A-weighted)	≤ 10 dB	≤ 10 dB
Harmonic distortion at 90 dB SPL @ 1m on axis Freq. 50 to 100 Hz > 100 Hz	< 2 % < 0.5 %	< 2 % < 0.5 %
Drivers: Bass Treble Both drivers are magnetically shielded	165 mm (6½ in) 19 mm (¾ in) metal dome	205 mm (8 in) 25 mm (1 in) metal dome
Weight:	9.4 kg (20.7 lbs)	14.4 kg (31.7 lbs)
Dimensions: Height (without table support) Height (including table support) Width Depth	350 mm (13 ¹³ / ₁₆ in) 365 mm (14 ³ / ₈ in) 237 mm (9 ³ / ₈ in) 223 mm (8 ¹³ / ₁₆ in)	433 mm (17 ¹ / ₁₆ in) 452 mm (17 ¹³ / ₁₆ in) 286 mm (11 ¹ / ₄ in) 278 mm (10 ¹⁵ / ₁₆ in)

CROSSOVER SECTION

	8040B	8050B
Input connector XLR female	Pin 1 gnd, pin 2 +, pin 3 -	
Input impedance	10 kOhm balanced	
Input level for maximum short term output of 100 dB SPL @ 1m:	Adjustable from +6 to -6 dBu	
Crossover frequency, Bass/Treble	3.0 kHz	1.8 kHz
Treble tilt control operating range in 2 dB steps	From +2 to -4 dB & MUTE @ 15 kHz	From +2 to -4 dB & MUTE @ 15 kHz
Desktop low frequency control operating range	-4 dB @ 160 Hz	-4 dB @ 160 Hz
Bass roll-off control operating range in 2 dB steps	From 0 to -6 dB @ 45 Hz	From 0 to -6 dB @ 35 Hz
Bass tilt control operating range in 2 dB steps	From 0 to -6 dB @ 100 Hz & MUTE	From 0 to -6 dB @ 100 Hz & MUTE
	The 'CAL' position is with all tone controls set to 'off' and the input sensitivity control to maximum (fully clockwise)	

AMPLIFIER SECTION

	8040B	8050B
Bass amplifier short term output power Treble amplifier short term output power	90 W 90 W	150 W 120 W
Long term output power is limited by driver unit protection circuitry		
Amplifier system distortion at nominal output THD SMPTE-IM CCIF-IM DIM 100	≤ 0.05 % ≤ 0.05 % ≤ 0.05 % ≤ 0.05 %	≤ 0.05 % ≤ 0.05 % ≤ 0.05 % ≤ 0.05 %
Signal to Noise ratio, referred to full output Bass Treble	≥ 100 dB ≥ 100 dB	≥ 100 dB ≥ 100 dB
Mains voltage	100, 120, 220 or 230 V according to region	
Voltage operating range	±10 %	±10 %
Power consumption Idle Standby Full output	10 W < 0.5 W 110 W	10 W <0.5 W 170 W



Genelec 8040B- ja 8050B-aktiivikaiuttimet

Yleistä

GENELEC 8040B ja 8050B ovat erittäin suorituskykyisiä, kompakteja aktiivikaiuttimia. Ne soveltuvat lähikenttämonitoreiksi äänitystudioihin, ulkolähetysautoihin, radio- ja TV-lähetysten äänen tarkkailuun, julkisiin tiloihin, kotistudioihin ja kotiteattereihin. Molemmat mallit sisältävät päätevahvistimet, säädettävän aktiivisen jakosuotimen ja kaiutinelementtien ylikuormitussuojauspiirit. Uusi Minimum Diffraction Enclosure™ (MDE™)-kotelorakenne ja edelleen kehitetty Directivity Control Waveguide™ (DCW™)-suuntain takaavat tasapainoisen toiston vaikeissakin akustisissa ympäristöissä.

Kaiutinelementit

Bassoelementin läpimitta on mallissa 8040B 165 mm (6 1/2") ja 205 mm (8") mallissa 8050B. Pitkän ja poikkileikkaukseltaan suuren refleksiputken aukko on muotoiltu laajenevaksi ilmapirtauksesta johtuvien sivuäänien minimoimiseksi. Diskanttielementti on metallikalotti, läpimitaltaan 19 mm (3/4") 8040B:ssa ja 25 mm (1") 8050B:ssa. Sekä basso- että diskanttielementit on magneettisuojattu.

Aktiivinen jakosuodin

Aktiivinen jakosuodin koostuu kahdesta rinnakkaisesta kaistanpäästösuotimesta. Jakotaajuus on mallissa 8040B 3,0 kHz ja mallissa 8050B 1,8 kHz. Jakosuotimen säädöt ("treble tilt", "desktop low frequency", "bass tilt" ja "bass roll-off") mahdollistavat kaiuttimien toistovasteen sovittamisen erilaisiin akustisiin ympäristöihin.

Vahvistimet

Genelec 8040B ja 8050B -aktiivikaiuttimet sisältävät kaiutinelementteihin suoraan kytketyt päätevahvistimet. 8040B:n molemmat vahvistimet ovat teholtaan 90 wattia, 8050B:ssa on diskanttielementille 120 watin ja bassoelementille 150 watin vahvistin. Kaiutinkotelon sisään rakennetut vahvistimet on varustettu automaattisilla suojapiireillä kaiutinelementtien ylikuumentumisen varalta. Vahvistimien säädettävä sisääntuloherkkyys mahdollistaa kaiuttimien sovittamisen erilaisiin äänilähteisiin.

Liitännät

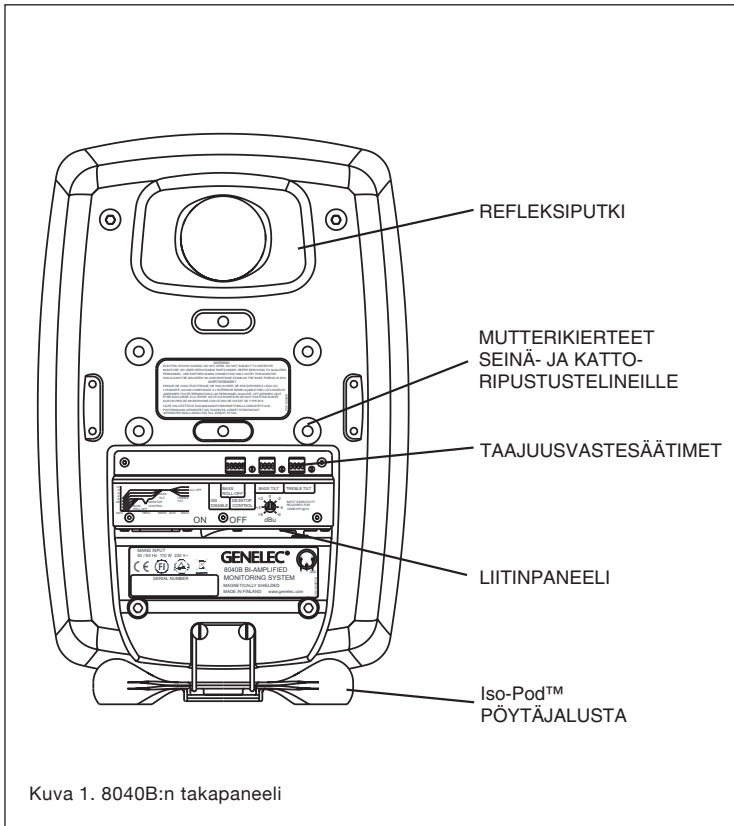
Kaiuttimien mukana toimitetaan suojamaadoitetut verkkovirtajohdot. Älä kytke kaiutinta suojamaadoittamattomaan pistorasiaan.

Ennen kuin teet mitään kytkentöjä, varmista, että kaikista laitteista on kytketty virta pois. Audiosignaalia varten kaiuttimissa on balansoitu 10 kOhm:in XLR-liitin. Ellei äänilähteessä ole balansoitua antoliitäntää, voidaan käyttää kuvan 3 mukaisesti kytkettyä signaalihohtoa. Genelec 8040B- ja 8050B-aktiivikaiuttimet saa kytkeä ainoastaan linjatasaista signaalia antavaan äänilähteeseen, ei milloinkaan päätevahvistimen tai integroidun vahvistimen kaiutinliittimiin.

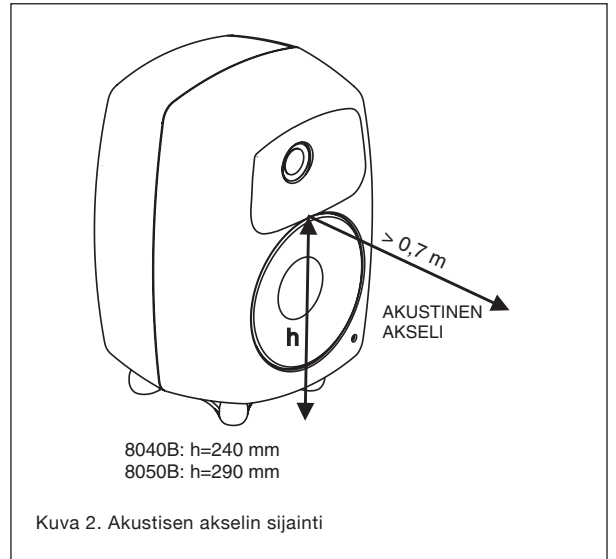
Automaattinen virrankytkentä (ISS™ Autostart)

Kaiuttimessa on signaalin tunnistava automaattinen virrankytkentä, joka kytkee sen toimintaan heti kun kaiuttimeen tulee äänisignaali. Vastaavasti kaiutin menee automaattisesti valmiustilaan, kun signaalin päättymisestä on kulunut noin tunti. Valmiustilassa kaiuttimien tehonkulutus on alle 0,5 W.

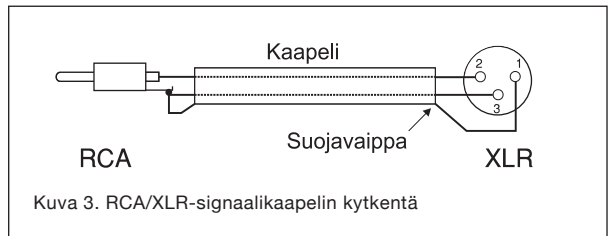
Automaattisessa käynnistymisessä on pieni viive. Jos tämä ei ole hyväksyttävää, automaattinen virrankytkentä voidaan poistaa toiminnasta kääntämällä "ISS DISABLE"-kytkin kaiuttimen takapaneelissa asentoon



Kuva 1. 8040B:n takapaneeli



Kuva 2. Akustisen akselin sijainti



Kuva 3. RCA/XLR-signaalkaapelin kytkentä

”ON.” Tällöin kaiutin käynnistyy ja sammuu ainoastaan virtakytkintä käyttäen. Kaiuttimien sijoitus

Kohdistu kuuntelupisteeseen

Suuntaa kaiuttimet kuuntelualueen keskipisteeseen pään korkeudelle. Suuntaus on tehty oikein, kun kaikkien kaiuttimien akustiset akselit (kuva 2) leikkaavat kuuntelupisteessä. Kaiuttimet kannattaa sijoittaa pystyasentoon, sillä se minimoi vaihevirheet jakotaajuudella.

Sijoita symmetrisesti

Sijoita kaiuttimet samalle etäisyydelle kuuntelupisteestä ja mahdollisimman symmetrisesti sekä toistensa, että huoneen rajapintojen suhteen. Tämä toteutuu, kun kuuntelupiste on huoneen keskilinjalla ja kaiuttimet sijoitetaan symmetrisesti keskilinjan suhteen.

Minimoi heijastukset

Kaiuttimien lähellä sijaitsevista esineistä ja pinnoista tulevat akustiset heijastukset voivat aiheuttaa toiston väritymistä ja sumentaa äänikuvaa. Tämä kannattaa ottaa huomioon kaiuttimien sijoitettaessa ja mahdollisuuksien mukaan siirtää heijastuksia aiheuttavat tietokoneen näytöt, kaapit tms. pois kaiuttimien läheltä ja sijoittaa kaiuttimet niin, että ne ovat

kauempana jäljelle jäävistä heijastuksista aiheuttavista pinnoista. Tarkkailukaiuttimia ei esimerkiksi kannata sijoittaa äänipöydän päälle, vaan riittävän korkeille lattialajustoille äänipöydän taakse, josta ne voidaan suunnata alas äänitarkkailijaa kohti.

Vähimmäisetäisyydet

Vahvistimien jäähtymisen ja refleksiportun toiminnan takaamiseksi pitää kaiuttimien taakse, sivuille ja päälle jäädä kuunteluhuoneeseen avautuva, vähintään viiden senttimetrin vapaatila. Kaiutinta ei saa käyttää tilassa, jonka lämpötila on yli 35° C.

Pöytäjalusta ja kiinnitysmahdollisuudet

Kaiuttimien mukana toimitettava Isolation Positioner/Decoupler™ (Iso-Pod™) -jalusta mahdollistaa kaiuttimen kallistamisen ylä- tai alaviistoon. Jalusta voidaan kiinnittää myös kaiutinkotelon pitkille sivuille, jos kaiuttimet halutaan sijoittaa vaaka-asentoon. (kuvat 1 ja 4).

Genelec 8040B ja 8050B voidaan kiinnittää Omnimount® Series 30 (8040B) ja Series 60 (8050B) sekä König & Meyer -kaiutintelineisiin kaiutinkotelon takaseinässä olevien M6x10 -mutterikierteiden avulla. Kotelon pohjassa on M10x10 -mutterikierte, jolla kaiutin voidaan kiinnittää tukevasti alus-

taansa. Älä käytä tätä kierrettä kaiuttimen kiinnittämiseen mikrofonitelineeseen, jossa on 3/8” UNC-kierre.

Herkkyiden säätö

Kaiuttimien ottoliitännän herkkyys on säädettävissä erilaisille äänilähteille sopivaksi. Säätö tehdään kaiuttimen takapaneelissa olevaa ruuvia (ks. kuva 1) kiertämällä. Säätö on asetettu tehtaalla arvoon -6 dBu (myötöpäivään rajoittajaan asti), mikä tuottaa 100 dB:n äänenpaineen (SPL) yhden metrin mitausetäisyydellä -6 dBu:n syöttöjännitteellä.

Taajuusvastesäätöjen käyttö

Kaiuttimien taajuusvastetta voidaan muokata kuuntelutilan akustisista ominaisuuksista ja kaiuttimien sijoituksesta johtuvien toistovirheiden kompensoimiseksi. Säätö tehdään kaiuttimen takapaneelissa olevien ”treble tilt”, ”bass tilt”, ”bass roll-off” ja ”desktop low frequency” -kytkimien avulla. Kaikki säädöt asetetaan tehtaalla asentoon ”OFF”, mikä antaa tasaisen taajuusvasteen kaiuttomassa tilassa. Säätöjen vaikutus toistovasteeseen on esitetty kuvissa 7 ja 9.

Bass roll-off

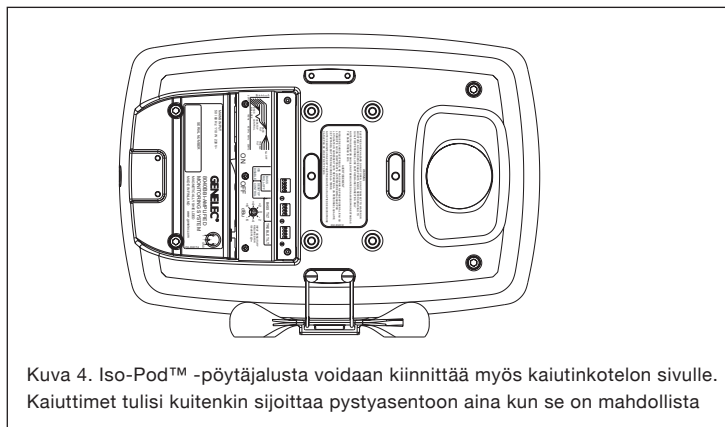
Bass roll-off (ensimmäinen kytkinryhmä vasemmalta lukien) vaikuttaa kaiuttimen bas-

Kaiuttimien sijoitus	Treble tilt	Bass tilt	Bass roll-off	Desktop LF
Kaiuttomassa tilassa	OFF	OFF	OFF	OFF
Vapaasti seisovana vaimennetussa tilassa	OFF	-2 dB	OFF	OFF
Vapaasti seisovana kaiuvassa tilassa	OFF	-4 dB	OFF	OFF
Lähikentässä, heijastavan tason päällä (esim. äänipöydällä)	OFF	-2 dB	OFF	-4 dB
Nurkassa	OFF	-4 dB	-4 dB	OFF

Taulukko 1. Taajuusvastesäätimien käyttö muutamissa tyypillisissä tilanteissa



Kuva 5. Seinäteline 8000-402



Kuva 4. Iso-Pod™ -pöytäjalusta voidaan kiinnittää myös kaiutinkotelon sivulle. Kaiuttimet tulisi kuitenkin sijoittaa pystyasentoon aina kun se on mahdollista



Kuva 6. Kantolaukku 8040B-parille

sotoistoon alarajataajuudella ja sen lähellä. Kolmella kytkimellä voidaan valita -2, -4 tai -6 dB:n vaimennus (ks. kuvat 7 ja 9).

Desktop low frequency

Desktop low frequency-säätö (viides kytkin ensimmäisessä säädinryhmässä) aktivoi 4 dB:n vaimennuksen 160 Hz:n kohdalle kompensoimaan äänipöydän, pöytätason tai muun kaiuttimen ja kuuntelijan välissä sijaitsevan vaakasuoran tason aiheuttaman korostuman.

Bass tilt

Bass tilt-säädön (keskimmäinen kytkinryhmä) avulla voidaan vaimentaa kaiuttimen bassoitoista 100 hertsin alapuolella. Kolmella kytkimellä voidaan valita vaimennustasot -2 dB, -4 dB ja -6 dB. Neljäs kytkin (MUTE) mykistää bassoelementin.

Treble tilt

Treble tilt-säätö (oikeanpuoleinen kytkinryhmä) vaikuttaa diskanttitaajuuksiin 5 kHz:n yläpuolella. Valittavana ovat säätötasot +2, -2, tai -4 dB ja diskanttielementin mykistys.

Suosittellemme akustisen mittausjärjestelmän (esim. MLSSA tai WinMLS) käyttöä kaiuttimien säätämiseksi. Ellei tällaista ole käytettävissä, säätö voidaan tehdä myös

korvakuulolta sopivia testiäänitteitä ja -signaaleja hyväksikäyttäen. Taulukko 1 sisältää muutamia suuntaa-antavia säätöesimerkkejä. Säätöjen vaikutus kaiuttimien vapaakenttävasteisiin on esitetty kuvissa 7 ja 9. Kaiuttimien sijoitus ja akustinen ympäristö vaikuttaa ratkaisevasti säätötarpeeseen, joten säätöön kannattaa ryhtyä vasta kun kuuntelutilan järjestys on saatu lopulliseen muotoonsa.

Bass tilt-, bass roll off- ja treble tilt-säätöjä voidaan yhdistellä vapaasti parhaan sointitasapainon saavuttamiseksi. Huomaa, että säädöt eivät ole kumuloituvia, joten kussakin ryhmässä saa olla kerrallaan vain yksi kytkin asennossa "ON".

Turvallisuusohjeita

Genelec-aktiivikaiuttimet on suunniteltu ja valmistettu täyttämään kansainväliset turvallisuusnormit. Virheellisestä käytöstä saattaa kuitenkin seurata vaaratilanne, joten seuraavia ohjeita on aina noudatettava:

- Laitetta ei saa asettaa alttiiksi kosteudelle tai roiskevedelle. Se on tarkoitettu käytettäväksi ainoastaan kuivassa huonetilassa.
- Huolto- ja korjaustoimia saa suorittaa vain valmistajan valtuuttama huoltohenkilöstö.
- Älä avaa kaiutinkoteloä tai irrota

laitteesta mitään osia.

- Laitteen saa kytkeä ainoastaan maadoitettuun pistorasiaan.
- Huomaa, että vahvistin ei ole täysin jännitteetön ellei virtajohtoa ole irrotettu pistokkeesta.

VAROITUS!

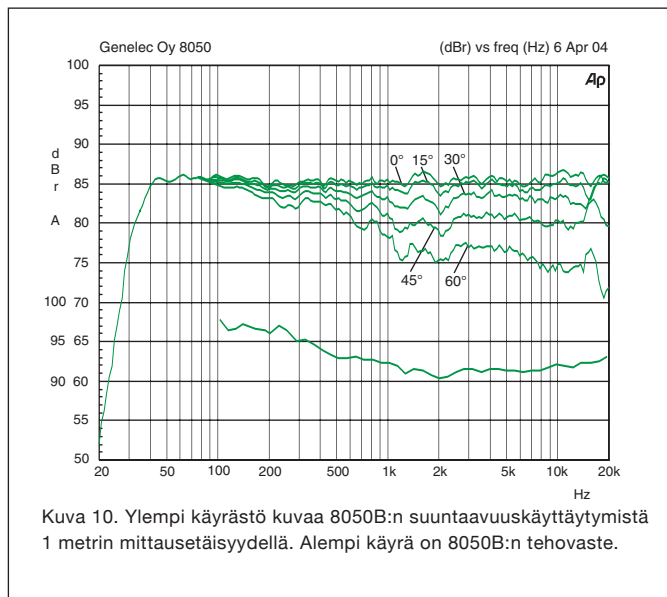
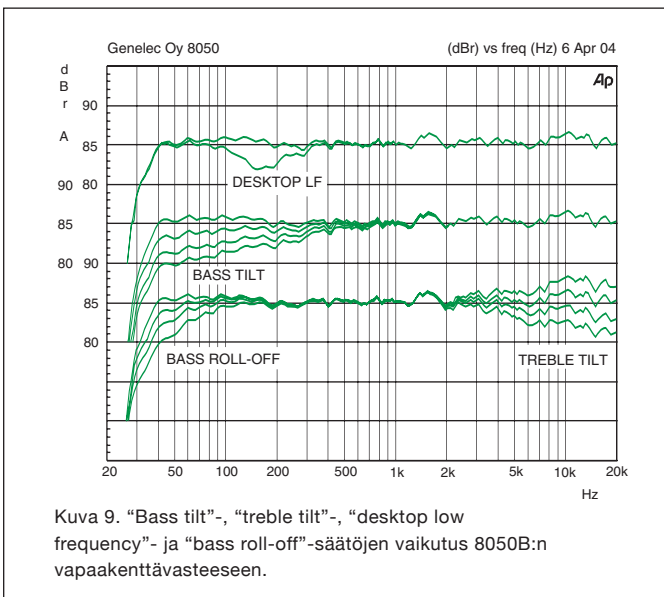
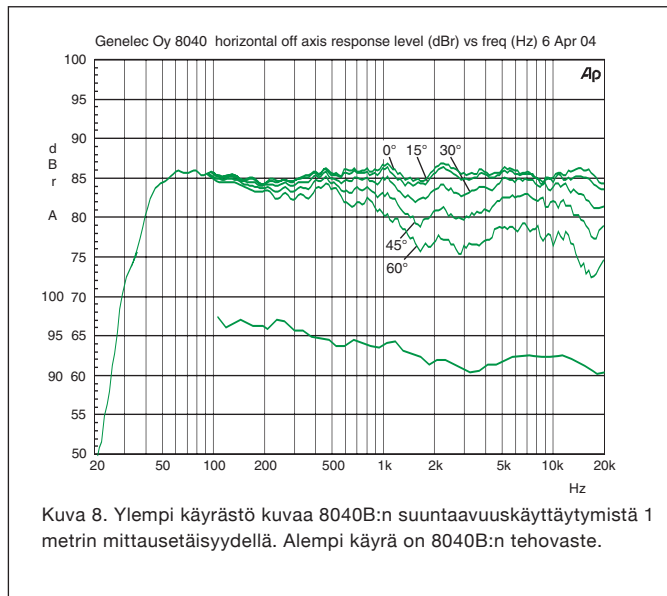
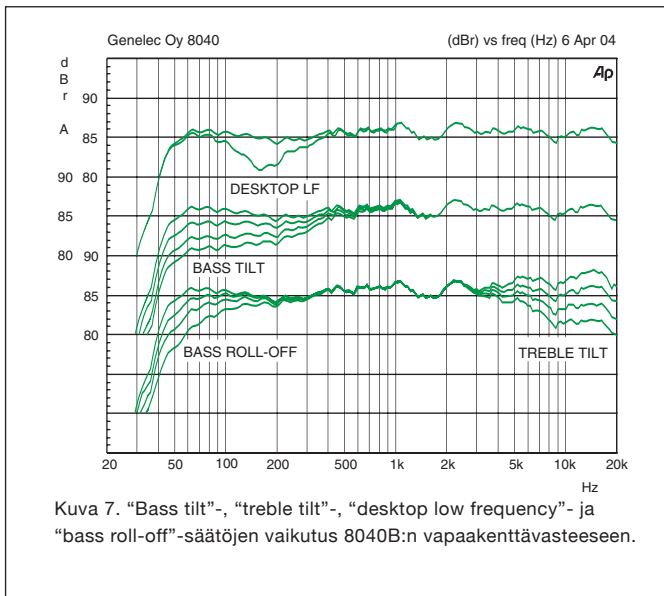
Genelec 8040B ja 8050B-aktiivikaiuttimet pystyvät tuottamaan yli 85 desibelin äänenpaineen, mikä voi aiheuttaa pysyvän kuulovaurion.

Huolto

Kaikki huolto- ja korjaustoimet on annettava valmistajan tai valmistajan valtuuttaman huoltohenkilöstön suorittaviksi. Älä avaa laitetta itse.

Takuu

Genelec Oy antaa näille tuotteille kahden vuoden takuun ostopäivästä lukien. Takuu kattaa valmistusvirheet ja materiaaliiviat.



TEKNISET TIEDOT

	8040B	8050B
Alarajataajuus, -3 dB Ylärajataajuus, -3 dB	≤ 45 Hz ≥ 21 kHz	≤ 35 Hz ≥ 21 kHz
Taajuusvaste vapaakentässä (± 2.0 dB)	48 Hz - 20 kHz	38 Hz - 20 kHz
Hetkellinen maksimiäänepaine mitattuna sinisignaali puolia- varuudessa. Keskiarvo taajuus- alueella 100 Hz - 3 kHz @ 1 m @ 0.5 m	≥ 105 dB SPL ≥ 111 dB SPL	≥ 110 dB SPL ≥ 116 dB SPL
Suurin jatkuva (RMS) äänenpaine IEC-painotetulla kohinalla mitat- tuna (elementtien suojaapiirien rajoittama) @ 1 m	≥ 99 dB SPL	≥ 101 dB SPL
Kaiutinparin tuottama äänen- paineen huippuarvo (peak) musiikkimateriaalilla 1 metrin mittausetäisyydellä	≥ 115 dB SPL	≥ 120 dB SPL
Akustinen pohjakohinataso @ 1 m (A-painotus)	≤ 10 dB	≤ 10 dB
Harmoninen särö 90 dB SPL @ 1 m 50 - 100 Hz > 100 Hz	< 2 % < 0,5 %	< 2 % < 0,5 %
Kaiutinelementit: Basso Diskantti Molemmat elementit ovat magneettisuojujattuja	165 mm (6 1/2 in) 19 mm (3/4 in) metallikalotti	205 mm (8 in) 25 mm (1 in) metallikalotti
Paino:	9,4 kg	14,4 kg
Mitat: Korkeus ilman pöytäjalustaa Korkeus pöytäjalustan kanssa Leveys Syvyys	350 mm (13 13/16 in) 365 mm (14 3/8 in) 237 mm (9 3/8 in) 223 mm (8 13/16 in)	433 mm (17 1/16 in) 452 mm (17 13/16 in) 286 mm (11 1/4 in) 278 mm (10 15/16 in)

JAKOSUODIN

	8040B	8050B
Ottoliittäntä XLR naaras	Napa 1 maa, napa 2 +, napa 3 -	
Ottoliittäntän impedanssi	10 kOhm symmetrinen	
Herkkyuden säätöalue	+6 ... -6 dBu 100 dB:n äänenpainetasolla 1 metrin mittausetäisyydellä	
Jakotaajuus	3,0 kHz	1,8 kHz
Treble tilt-säätö 2 dB:n portain	+2 ... -4 dB & MUTE @ 15 kHz	+2 ... -4 dB & MUTE @ 15 kHz
Desktop low frequency-säätö	-4 dB @ 160 Hz	-4 dB @ 160 Hz
Bass roll-off-säätö 2 dB:n portain	0 ... -6 dB @ 45 Hz	0 ... -6 dB @ 35 Hz
Bass tilt-säätö 2 dB:n portain	0 ... -6 dB @ 100 Hz & MUTE	0 ... -6 dB @ 100 Hz & MUTE
	Kaiuttimien kalibrointiasetus: Kaikki taajuusvastesäätimet asennossa "OFF" ja herkkyuden säädin maksimiasennossa	

VAHVISTIMET

	8040B	8050B
Bassovahvistimen lyhytkestoinen maksimiteho	90 W	150 W
Diskanttivahvistimen lyhytkestoinen maksimiteho	90 W	120 W
Jatkovaa tehoa rajoittaa kaiutin- elementtien suojauselektronikka		
Vahvistimien särö nimellisteholla		
THD	≤ 0.05 %	≤ 0.05 %
SMPTE-IM	≤ 0.05 %	≤ 0.05 %
CCIF-IM	≤ 0.05 %	≤ 0.05 %
DIM 100	≤ 0.05 %	≤ 0.05 %
Kohinaetäisyys täydellä teholla		
Basso	≥ 100 dB	≥ 100 dB
Diskantti	≥ 100 dB	≥ 100 dB
Käyttöjännite	230 V	
Sallittu jännitteen vaihtelu	±10 %	±10 %
Tehonkulutus		
Ilman kuormaa	10 W	10 W
Valmiustilassa	<0,5 W	<0,5 W
Maksimikuormalla	110 W	170 W

GENELEC®

International enquiries:
Genelec, Olvitie 5
FIN-74100, Iisalmi, Finland
Phone +358 17 83881
Fax +358 17 812 267
Email genelec@genelec.com

In the U.S. please contact:
Genelec, Inc., 7 Tech Circle
Natick, MA 01760, USA
Phone +1 508 652 0900
Fax +1 508 652 0909
Email genelec.usa@genelec.com

In Sweden please contact:
Genelec Sverige
Ellipsvägen 10B
P.O. Box 5521, S-141 05 Huddinge
Phone +46 8 449 5220
Fax +46 8 708 7071
Email info@genelec.com

In China please contact:
Beijing Genelec Audio Co.Ltd
Room 101, 1st floor, Building 71 833
Universal Business Park
No. 10 Jiuxianqiao Road
Chaoyang District
Beijing 100015, China
Phone +86 (10) 58697915/13
+86 (10) 58232014
Email genelec.china@genelec.com