

CDi DriveCore Series Quick Start Guide



WARNING! READ THE IMPORTANT SAFETY INSTRUCTIONS PROVIDED IN THE BOX BEFORE OPERATING THIS EQUIPMENT.

CAUTION: Before you begin, make sure your amplifier is disconnected from the power source and that all channel levels are turned all the way down.

This quick start guide does not include all of the details of design, production, or variations of the equipment. Nor does it cover every possible situation which may arise during installation, operation, or maintenance.

The information provided in this quick start guide was deemed accurate as of the publication date. However, updates to this information may have occurred. Later versions of this quick start guide and additional information about this product may be available at the Crown website at www.crownaudio.com.

Trademark Notice: Crown, Crown Audio, and Amcron are registered trademarks of Crown International. Other trademarks are the property of their respective owners.

Some models may be exported under the name Amcron®

© 2016 by HARMAN International, Inc., 1718 W. Mishawaka Rd., Elkhart, Indiana 46517-9439 U.S.A. Telephone: 574-294-8000.

INCLUDED IN THE BOX

- CDi DriveCore Amplifier (1)
- 6-Pin Connectors (2 or 3 depending on amp model/channel count)
- 8-Pin GPIO Block Connector (1)
- Terminal Forks (5 or 10 depending on amp model/channel count)
- Clip On Ferrites (2, included with BLU link amp models only)
- Rear Rack Supports (2)
- Rack Mount Screw Kit (10 Screws and 10 Washers)
- Power Cable (1)

WARRANTY REGISTRATION



Register your product at <http://warranty.harmanpro.com> or scan the code to the right with a QR scanner app on your mobile device to go straight to web URL.

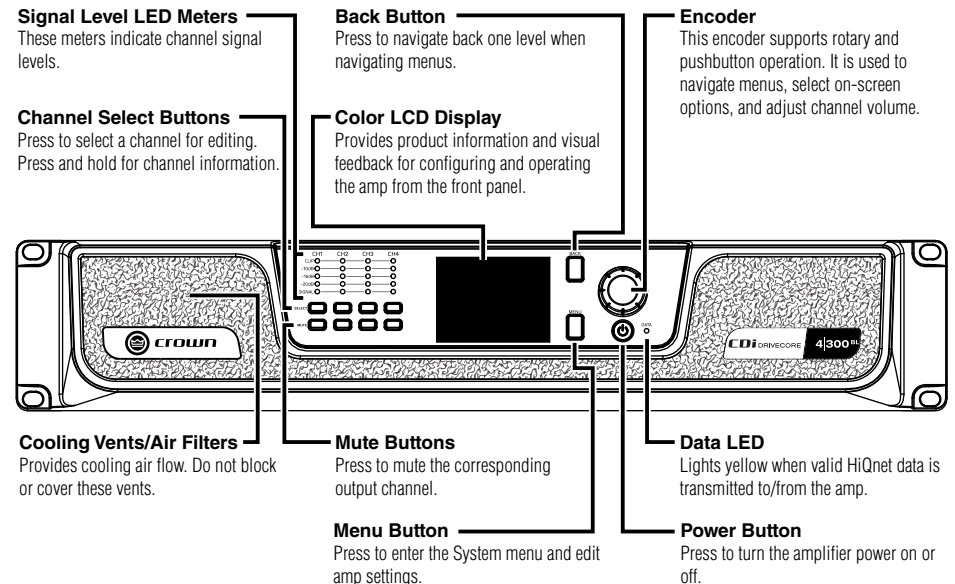


DOWNLOAD THE OPERATION MANUAL

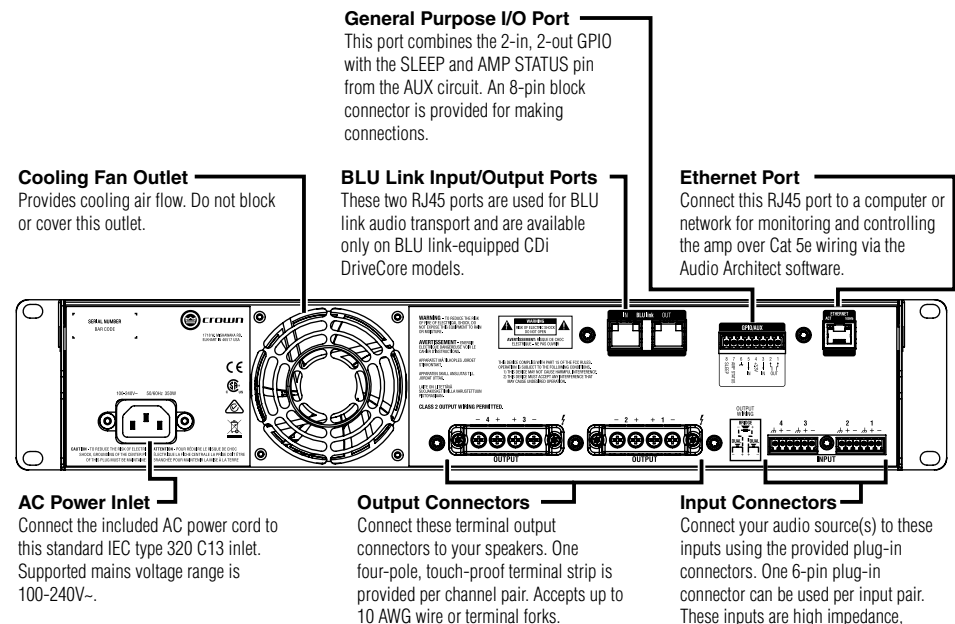
Get the operation manual at <http://www.crownaudio.com> or scan the code to the right with a QR scanner app on your mobile device to go straight to web URL.



FRONT PANEL



REAR PANEL



WARNING: Only connect to networks that remain inside the building. CDi DriveCore 4|300BL front and rear panel shown.

SETUP

1 Configure The Amp

IMPORTANT: Do not connect the speakers to the amplifier until after it has been properly configured for the application.

- Make certain the building's AC mains voltage and current ratings are sufficient to deliver full power to all amplifiers being installed.
- Using the supplied AC power cord, connect the IEC end to the IEC connector on the amplifier, then plug the other end to the AC mains outlet.

⚡ WARNING: The third prong of this connector (ground) is an important safety feature. Do not attempt to disable this ground connection by using an adapter or other methods.

- The amp may automatically power on. If it does not, press the **POWER** button to turn the amp on (the power indicator will light blue if sufficient mains power is provided).
- Wait for the amplifier to boot.
- Once the amplifier has completed the boot sequence, turn the **ENCODER** counter-clockwise until all channel level settings in the front panel display read -80.0dB.
- Press the **MENU** button.
- Select the "CONFIGURE AMPLIFIER" option from the menu using the **ENCODER**.
- Select the "GUIDED SETUP" option from the menu.
- Select the desired configuration options, making selections with the **ENCODER**.

WARNING: The CDi DriveCore outputs are configured for Low Z operation by default. To prevent speaker damage, make sure to properly configure each output for the type of speaker(s) being connected (i.e., Low Z, 70V, or 100V). See the online operation manual for more information.

2 Make Connections

WARNING: Always turn off the amplifier — by pressing and holding the Power button for 2 seconds — and disconnect the power cord before making any wiring or installation changes.

- Turn down the level of your audio source.
- Connect the audio source to each applicable amp input using the provided 6-pin connectors.
- Connect the speakers to the amplifier outputs.

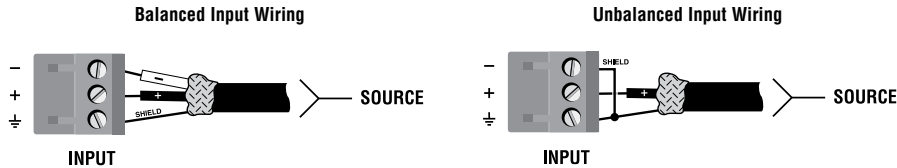
See the "Input/Output Wiring" and "Connection Diagram" sections below for reference.

3 Set Levels

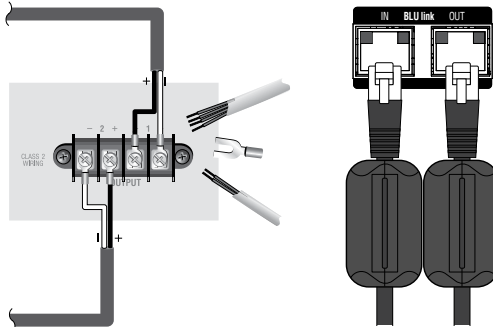
- Reconnect the AC power cord to the amp, press the **POWER** button, then wait for the amp to boot.
- Turn your audio source up to an optimum level. Refer to all device meters and ensure that at no point in the signal chain is the signal being clipped in any way. If any of the amplifier's Clip indicators light yellow, reduce the source level until the Clip LEDs no longer light.
- Turn up the amp levels.
 - To adjust all amp channel levels respectively: From the Home screen, turn the **ENCODER**.
 - To adjust individual amp channel levels: From the Home screen, press the channel **SELECT** button for the channel you wish to adjust (the channel will become highlighted in the LCD display). Now turn the **ENCODER**.

For help with determining your system's optimum gain structure (signal levels), please refer to the Crown Amplifier Application Guide, available online at www.crownaudio.com.

INPUT/OUTPUT WIRING



Crown recommends using the included terminal fork connectors and two-conductor or four-conductor, heavy gauge speaker wire. You may use terminal forks up to 10 AWG or bare wire for your output connectors. For best results, Crown recommends Panduit part #PV10-6LF-L or equivalent terminal fork. For bare wire, it is highly recommended that output wiring is tinned. To reduce strain on input and output wiring, Crown recommends the use of horizontal lacer bars. For best results, Crown recommends Middle Atlantic® part# LBP-4R90 or equivalent horizontal lacer bar.



NOTE: The Crown-designed output cover does not need to be removed to connect the output wiring.

Attach the included ferrites to the BLU link cables at the back of the amplifier.

⚠ CAUTION: Never use shielded cable for output wiring.

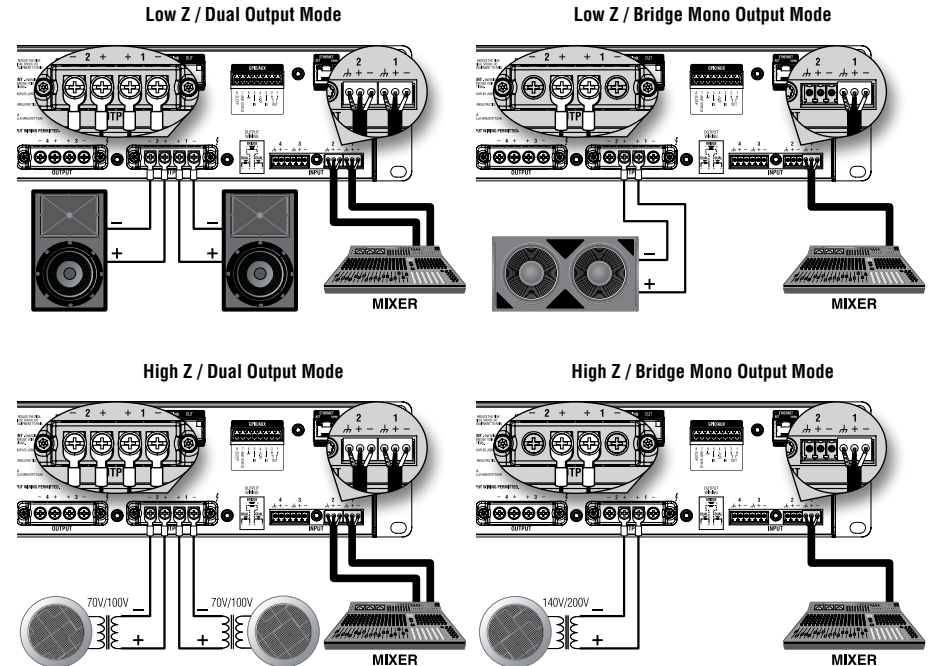
⚠ CAUTION: Never connect the speaker return to the chassis of the amplifier, or damage to the amplifier may result.

⚠ NOTE: Custom wiring should only be performed by qualified personnel. Class 2 output wiring is required.

⚡ Never connect the output to a power supply, battery or power main. Electrical shock may result.

⚡ WARNING: The third prong of the AC connector (ground) is an important safety feature. Do not attempt to disable this ground connection by using an adapter or other methods.

CONNECTION DIAGRAMS



CDi DriveCore 4|300BL rear panel shown.

PN: 5075505-A