

8

7

6

5

4

3

2

1

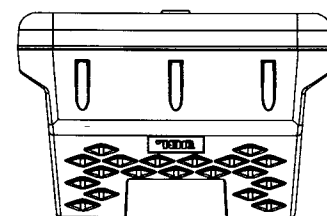
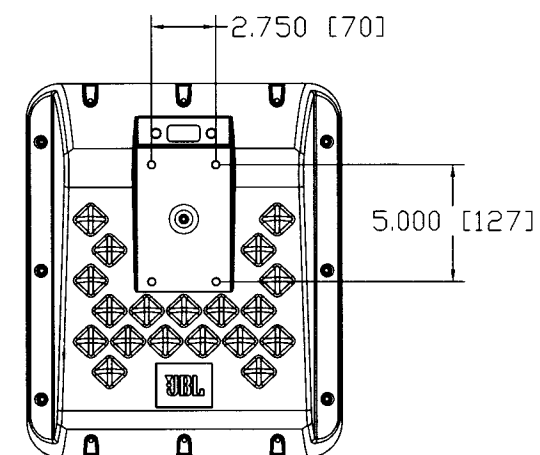
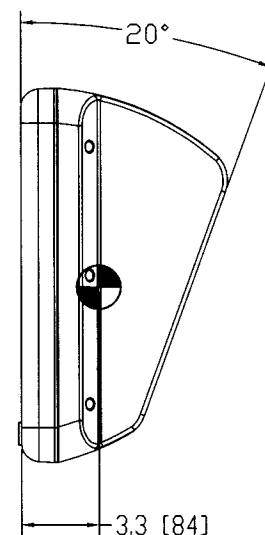
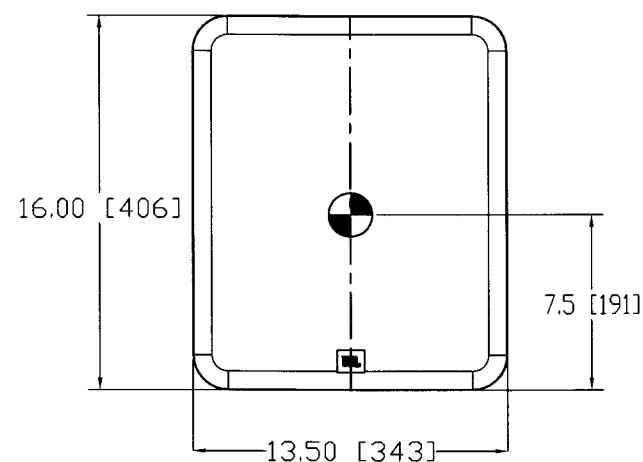
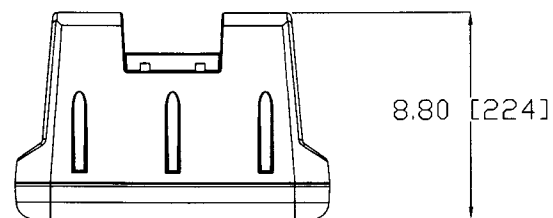
THESE DRAWINGS AND SPECIFICATIONS ARE THE PROPERTY OF JBL INCORPORATED THEY ARE ISSUED IN STRICT CONFIDENCE AND SHALL NOT BE REPRODUCED, COPIED, OR USED AS THE BASIS FOR MANUFACTURING OR SALE OF APPARATUS WITHOUT WRITTEN PERMISSION.

ALL MATERIAL SPECIFIED ON THIS DRAWING SHALL COMPLY WITH EUROPEAN DIRECTIVE 2002/95/EC [RoHS]

UNCONTROLLED COPY

REVISIONS						
CHG	LTR	DESCRIPTION	DRFT	CHK	DATE	APPR
36540	A	RELEASE FOR MARKETING	YT			Bw

8/7/08



1. COMPONENTS: LF - 200MM (8 INCHES) DIAMETER ,
HF - 25MM DIAMETER CONSTANT COVERAGE HORN LOADED .

2. INPUT CONNECTION: 3 WAY BINDING POST.

3. GRILLE: DOUBLE WOVEN ACOUSTICALLY TRANSPARENT FABRIC.

4. MATERIAL: INJECTION MOLDED HIGH IMPACT PLASTIC.

5. SUSPENSION SYSTEM: JBL PROPRIETARY MOUNT BRACKET.

6. WEIGHT: 5.0 KG (11 LBS).

7. CENTER OF GRAVITY (CG).

NOTES: (UNLESS OTHERWISE SPECIFIED)

TOLERANCES
(UNLESS OTHERWISE SPECIFIED)
X.XXX ± 0.031 INCH
X.XX ± 0.063 INCH
X.X ± 0.125 INCH
ANGULAR ± 0.30°

■ DIMENSIONS ARE INCHES
■ ALL DIMENSIONS ARE FINISHED DIMENSIONS
■ DO NOT SCALE DRAWING

JBL Professional A Harman International Company Northridge, California 91329, U.S.A.	
TITLE CUSTOMER DWG - 8320	
SIZE D	DRAWING NO. 365679
REV A	SHEET 1 OF 1

8

7

6

5

4

3

2

1